



**MANUAL – INSTALLATION**

---

# **Linear Floor Plenum**

## LFP Series

**v001 – Issue Date: 06/06/18**

© 2018 Price Industries Limited. All rights reserved.

**PRICE**<sup>®</sup>

# LINEAR FLOOR PLENUM

---

## TABLE OF CONTENTS

### General Overview

Introduction.....	1
General Safety Guidelines.....	1
Safety Symbols .....	1

### System Overview

Perimeter Zone .....	2
----------------------	---

### Product Overview

Linear Floor Plenum .....	3
---------------------------	---

### Installation & Mounting Instructions

Floor Tile Supported Installation .....	4
Pedestal Supported Installation .....	4

# LINEAR FLOOR PLENUM

## GENERAL OVERVIEW

### Introduction

In this manual, you will find technical descriptions and diagrams of underfloor system components along with their installation instructions. Practical guidelines and recommendations are also provided. If more information is required about this equipment, please contact an Price sales representative.

### General Safety Guidelines

This document is intended for use by owner-authorized operating/service personnel who are expected to possess the required training to enable them to perform their tasks properly and safely. This individual must have read and understood this document and any referenced materials prior to performing any task on this equipment. Also, it is essential that this individual be familiar with and comply with all applicable governmental standards and regulations pertaining to the task in question. This individual must also verify that installation and connections comply with local building codes. It is the obligation and responsibility of the operating/service personnel to identify and recognize these inherent hazards, protect themselves, and proceed safely in completing their tasks. Failure to comply with any of these requirements could result in severe personal injury or death to themselves and people at the site, as well as serious damage to the equipment and the property in which it is situated.

The equipment discussed in this manual is relatively complicated apparatus and must be handled with the necessary precautions. Individuals may be exposed to certain components or conditions such as refrigerants, oils, materials under pressure, rotating components, and both high and low voltage during installation, operation, maintenance or service of this equipment. If misused or mishandled, each item has the potential to cause bodily injury or death.

### Safety Symbols

The following symbols are used in this document to alert the reader to areas of potential hazard:



Failure to observe may result in personal injury, death or equipment damage.



Failure to observe may result in equipment damage.

**NOTE:** Used to highlight additional information helpful to the reader.

# LINEAR FLOOR PLENUM

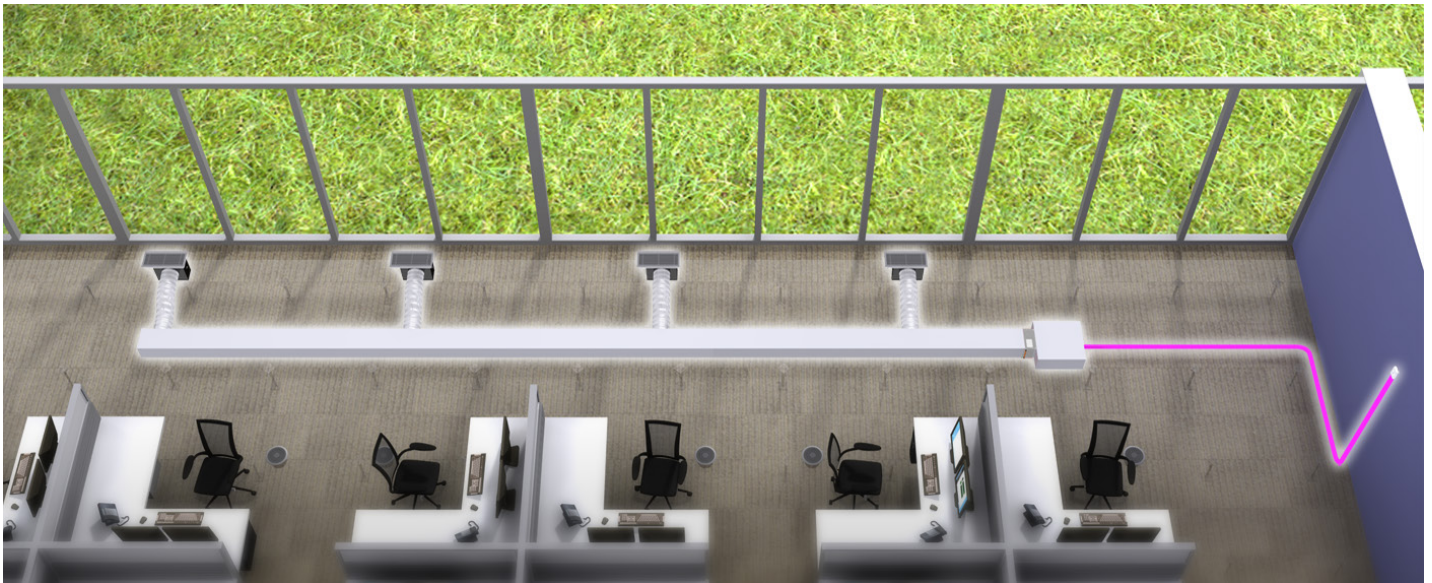
## SYSTEM OVERVIEW

### Perimeter Zone

#### DUCTED FAN HEATING AND COOLING

Traditionally, fan terminals have been used to provide variable heating and cooling to the perimeter. The fan terminal is equipped with either a hot water coil or an electric heater. Air is forced through the fan and then introduced into the space through floor grilles. A thermostat monitors the room temperature, while the PCM onboard the fan terminal modulates the fan and heating device to meet the space requirements.

#### DUCTED FAN HEATING AND COOLING ▼



# LINEAR FLOOR PLENUM

## PRODUCT OVERVIEW

### Linear Floor Plenum

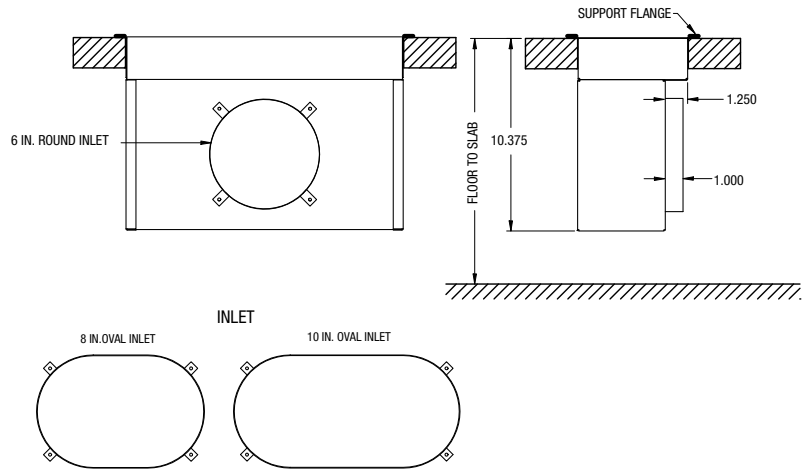
The **Linear Floor Plenum (LFP)** is designed to be used in conjunction with the Linear Floor Grille (LFG) to provide fan-forced air to the space for either heating or cooling.

The LFP is available in a floor tile supported model to be used with grilles with flanges, and in a pedestal supported model to allow the use of flangeless grille options. Both of these plenum styles can be installed for a continuous-look grille application using the Underfloor Blank-off (UFB).

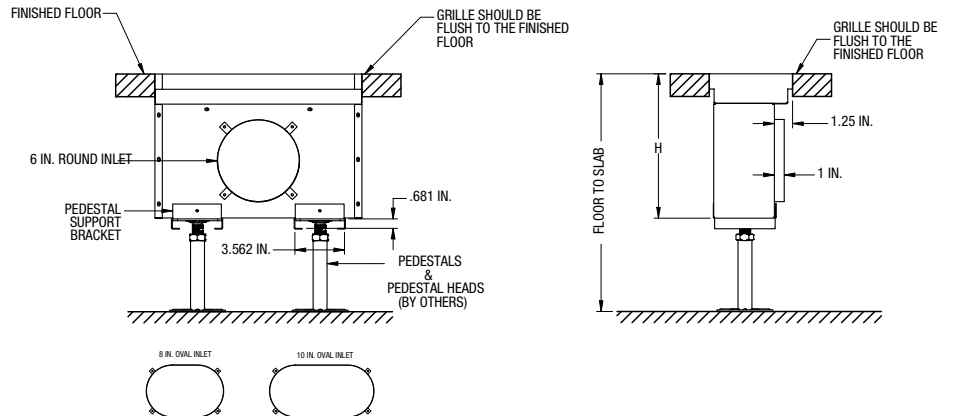
Please see the LFG catalog and manual for information on Linear Floor Grilles.

Please see the UFB installation manual for information on installing for continuous applications.

#### LFP - FLOOR TILE SUPPORTED ASSEMBLY ▼



#### LFP - PEDESTAL SUPPORTED ASSEMBLY ▼



#### Assembly Height with LFG Installed

Core Style	H (In.)
Pressed Core	10.55
Mandrel Core	10.375

# LINEAR FLOOR PLENUM

## INSTALLATION & MOUNTING INSTRUCTIONS

### Floor Tile Supported Installation

**STEP 1:** The floor opening should be the same size as the nominal size used to order the floor plenum.

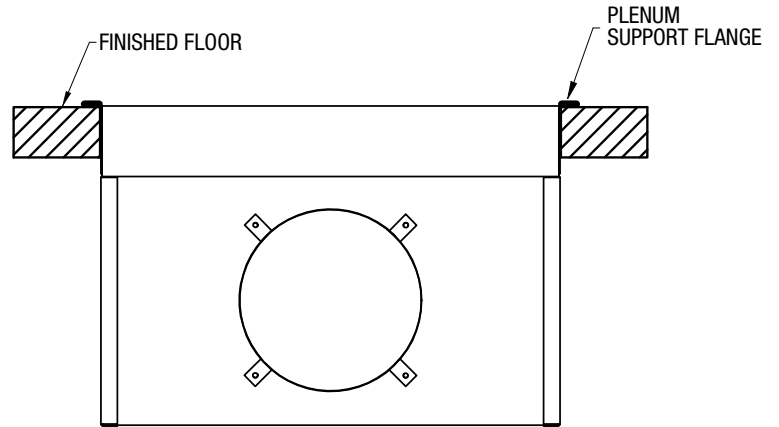
**STEP 2:** Connect flexible ductwork to inlet on floor plenum.

**STEP 3:** Set floor plenum into floor opening so that the support flange rests above the tile.

**OPTIONAL:** For continuous applications, remove end-cap and follow instructions in the UFB manual for blank-off installation.

**STEP 4:** Place floor grille into plenum.

FIGURE 1: FLOOR TILE SUPPORT ASSEMBLY ▼



### Pedestal Supported Installation

**STEP 1:** The floor opening should be the same size as the nominal size used to order the floor plenum.

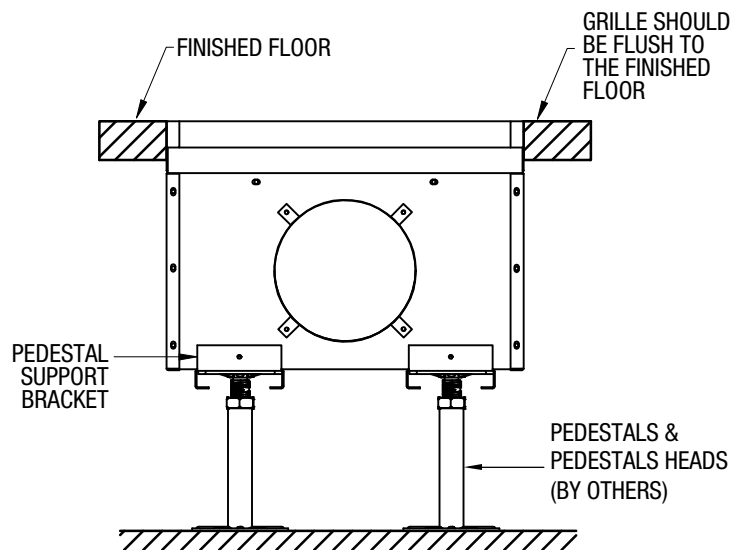
**STEP 2:** Connect flexible ductwork to inlet on floor plenum.

**STEP 3:** Slide pedestal heads through slot in pedestal brackets to attach to floor pedestals. Adjust height to achieve an even finish with the floor.

**OPTIONAL:** For continuous applications, remove end-cap and follow instructions in the UFB manual for blank-off installation.

**STEP 4:** Place floor grille into plenum.

FIGURE 2: PEDESTAL SUPPORTED ASSEMBLY ▼



---

This document contains the most current product information as of this printing.  
For the most up-to-date product information, please go to [priceindustries.com](http://priceindustries.com)

© 2018 Price Industries Limited. All rights reserved.

**PRICE**<sup>®</sup>

The Science of Comfort<sup>™</sup>